



Shanghai Leiqiong Lighting Technology Co., LTD

Add.:5th Floor, NO.1059 Jiangyue Rd., Minhang Dis., Shanghai, China

Tel: 021-52716052 Fax:021-5271 6053

Web:www.better-led.com Web:www.ledskylamp.com

Contacting: Ms. Susan Hu Mail:Sales9@better-led.com

FLOOD LIGHT (50W)

PARAMETER:

- *Type: LQ-FL-50W-01*
- *Light source: LED*
- *Power: 50W*
- *Color of the housing: grey/black*
- *Work voltage:*
AC(85V-265V)/(50-60HZ)
- *Power factor(PF): >0.9*
- *Light efficiency of LED:100 lm/w*
- *No UV or IR light radiation*
- *Fixture efficiency: >90%*
- *View angle: 120°*
- *Color instruction: >80*
- *Color temperature(CCT): 2700-7000K*
- *Life time: >50,000 hrs*
- *Luminance decrease: keep lighting 1000hours decrease1%*



Add: Room B203-204, 2nd Floor, Building 7, No.1188 Lianhang Road, Minhang District, Shanghai, China

Tel: +86-21-5271 6052

Fax: +86-21-5271 6053

Http://www.better-led.com

E-mail: info@better-led.com



Shanghai Leiqiong Lighting Technology Co., LTD

Add.:5th Floor, NO.1059 Jiangyue Rd., Minhang Dis., Shanghai, China

Tel: 021-52716052 Fax:021-5271 6053

Web:www.better-led.com Web:www.ledskylamp.com

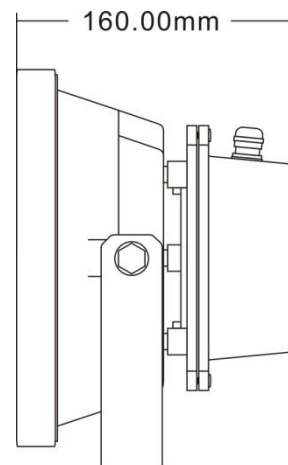
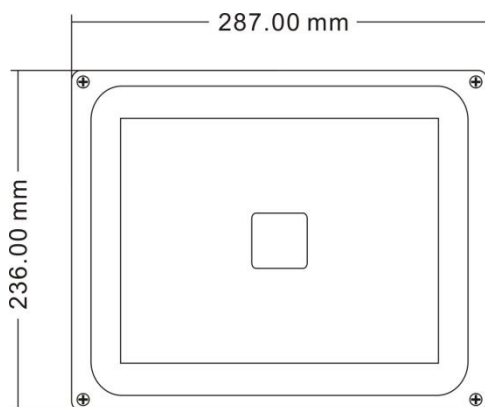
Contacting: Ms. Susan Hu Mail:Sales9@better-led.com

- *IP grade: IP65*
- *CE certification*
- *Net weight: 3.5kg*
- *Dimension of the product: 287*236*160mm*
- *Dimension of the external box: 65.5*38*29cm*
- *Quantity (PCS): 4 pcs in a carton*

TYPICAL APPLICATIONS:

- *Energy Saving Programs*
- *exterior of building light*
- *on the bill board*

PRODUCT DIMENSIONS:



Add: Room B203-204, 2nd Floor, Building 7, No.1188 Lianhang Road, Minhang District, Shanghai, China

Tel: +86-21-5271 6052

Fax: +86-21-5271 6053

Http://www.better-led.com

E-mail: info@better-led.com



Shanghai Leiqiong Lighting Technology Co., LTD

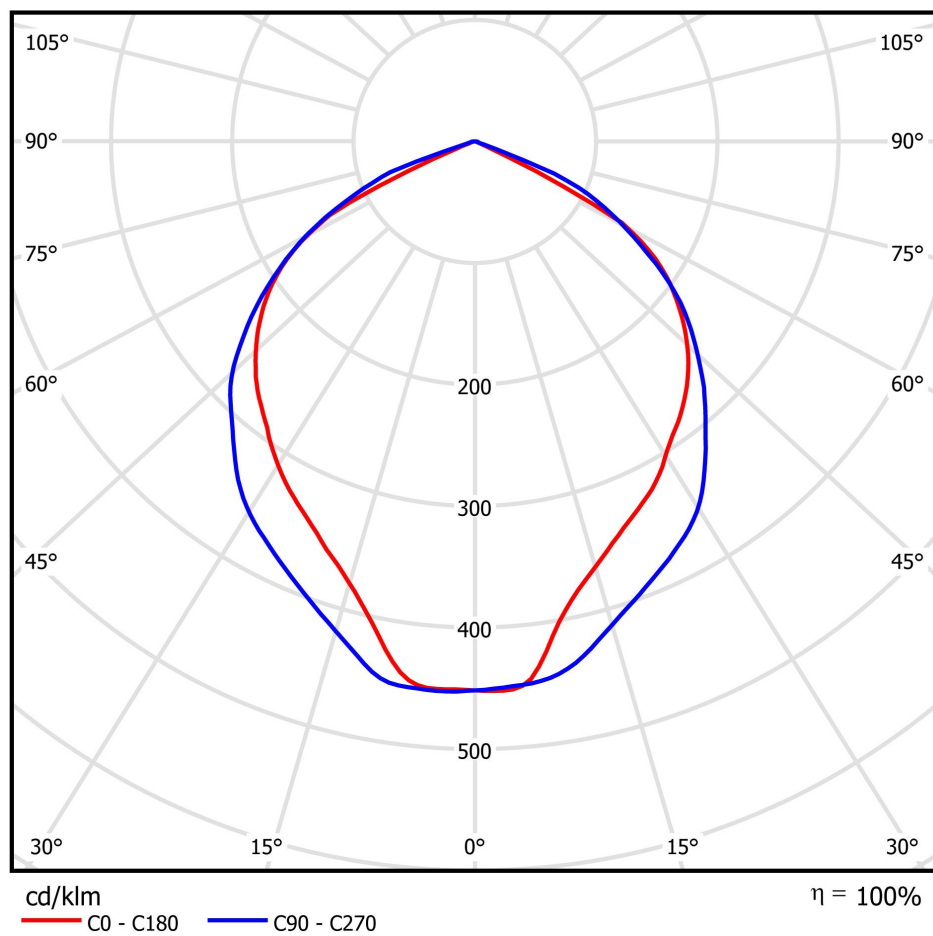
Add.:5th Floor, NO.1059 Jiangyue Rd., Minhang Dis., Shanghai, China

Tel: 021-52716052 Fax:021-5271 6053

Web:www.better-led.com Web:www.ledskylamp.com

Contacting: Ms. Susan Hu Mail:Sales9@better-led.com

PHOTOMETRIC RESULTS:



Add: Room B203-204, 2nd Floor, Building 7, No.1188 Lianhang Road, Minhang District, Shanghai, China

Tel: +86-21-5271 6052

Fax: +86-21-5271 6053

Http://www.better-led.com

E-mail: info@better-led.com



Shanghai Leiqiong Lighting Technology Co., LTD

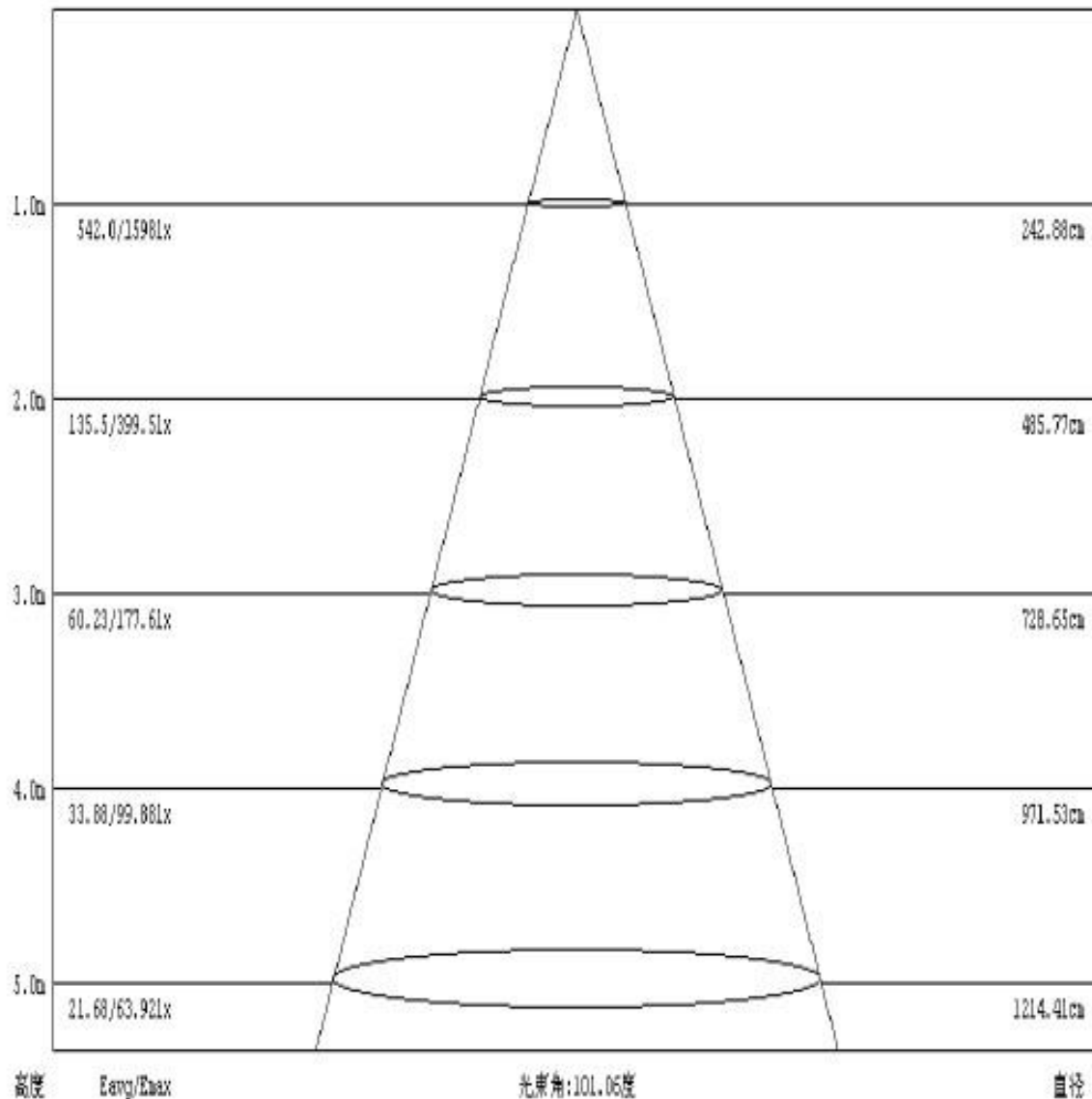
Add.:5th Floor, NO.1059 Jiangyue Rd., Minhang Dis., Shanghai, China

Tel: 021-52716052 Fax:021-5271 6053

Web:www.better-led.com Web:www.ledskylamp.com

Contacting: Ms. Susan Hu Mail:Sales9@better-led.com

ILLUMINANCE MEASUREMENT:



Add: Room B203-204, 2nd Floor, Building 7, No.1188 Lianhang Road, Minhang District, Shanghai, China

Tel: +86-21-5271 6052

Fax: +86-21-5271 6053

Http://www.better-led.com

E-mail: info@better-led.com



Shanghai Leiqiong Lighting Technology Co., LTD

Add.:5th Floor, NO.1059 Jiangyue Rd., Minhang Dis., Shanghai, China

Tel: 021-52716052 Fax:021-5271 6053

Web:www.better-led.com Web:www.ledskylamp.com

Contacting: Ms. Susan Hu Mail:Sales9@better-led.com

FLOOD LIGHT (50W)

PARAMETER:

- *Type: LQ-FL-50W-02*
- *Light source: LED*
- *Power: 50W*
- *Color of the housing: grey/black*
- *Work voltage:*
AC(85V-265V)/(50-60HZ)
- *Power factor(PF): >0.9*
- *Light efficiency of LED: 100 lm/w*
- *No UV or IR light radiation*
- *Fixture efficiency: >90%*
- *View angle: 90°*
- *Color instruction: >80*
- *Color temperature(CCT): 2700-7000K*
- *Life time: >50,000 hrs*
- *Luminance decrease: keep lighting 1000hours decrease1%*



Add: Room B203-204, 2nd Floor, Building 7, No.1188 Lianhang Road, Minhang District, Shanghai, China

Tel: +86-21-5271 6052

Fax: +86-21-5271 6053

Http://www.better-led.com

E-mail: info@better-led.com



Shanghai Leiqiong Lighting Technology Co., LTD

Add.:5th Floor, NO.1059 Jiangyue Rd., Minhang Dis., Shanghai, China

Tel: 021-52716052 Fax:021-5271 6053

Web:www.better-led.com Web:www.ledskylamp.com

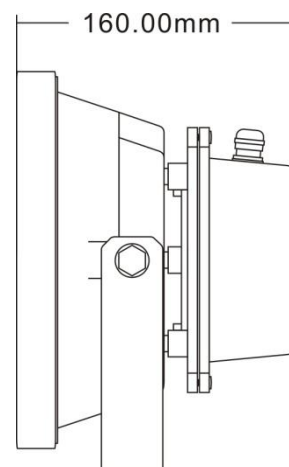
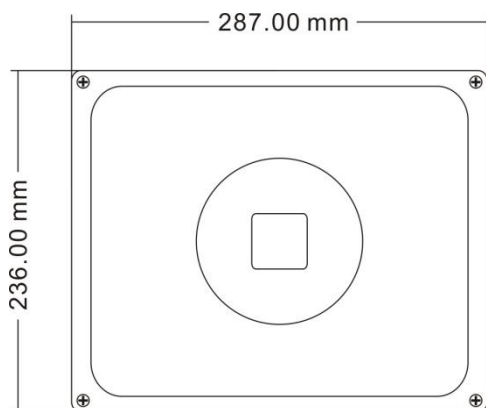
Contacting: Ms. Susan Hu Mail:Sales9@better-led.com

- *IP grade: IP65*
- *CE certification*
- *Net weight: 3.5kg*
- *Dimension of the product: 287*236*160mm*
- *Dimension of the external box: 65.5*38*29cm*
- *Quantity (PCS): 4 pcs in a carton*

TYPICAL APPLICATIONS:

- *Energy Saving Programs*
- *exterior of building light*
- *on the bill board*

PRODUCT DIMENSIONS:



Add: Room B203-204, 2nd Floor, Building 7, No.1188 Lianhang Road, Minhang District, Shanghai, China

Tel: +86-21-5271 6052

Fax: +86-21-5271 6053

Http://www.better-led.com

E-mail: info@better-led.com



Shanghai Leiqiong Lighting Technology Co., LTD

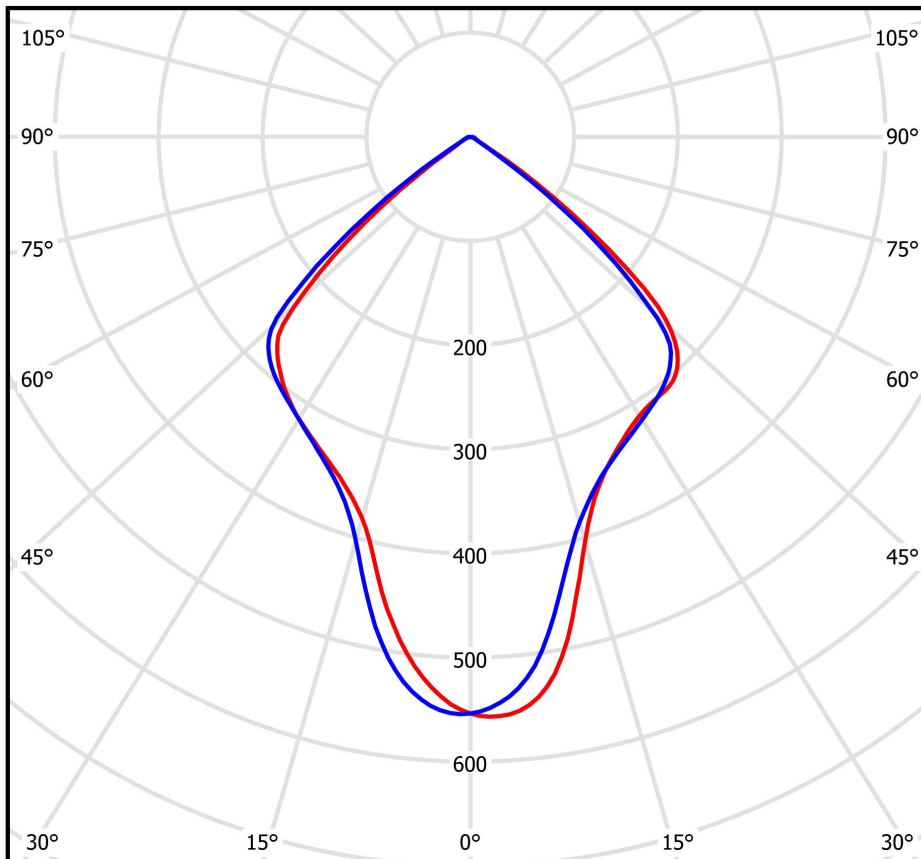
Add.:5th Floor, NO.1059 Jiangyue Rd., Minhang Dis., Shanghai, China

Tel: 021-52716052 Fax:021-5271 6053

Web:www.better-led.com Web:www.ledskylamp.com

Contacting: Ms. Susan Hu Mail:Sales9@better-led.com

PHOTOMETRIC RESULTS:



Add: Room B203-204, 2nd Floor, Building 7, No.1188 Lianhang Road, Minhang District, Shanghai, China

Tel: +86-21-5271 6052

Http://www.better-led.com

Fax: +86-21-5271 6053

E-mail: info@better-led.com



Shanghai Leiqiong Lighting Technology Co., LTD

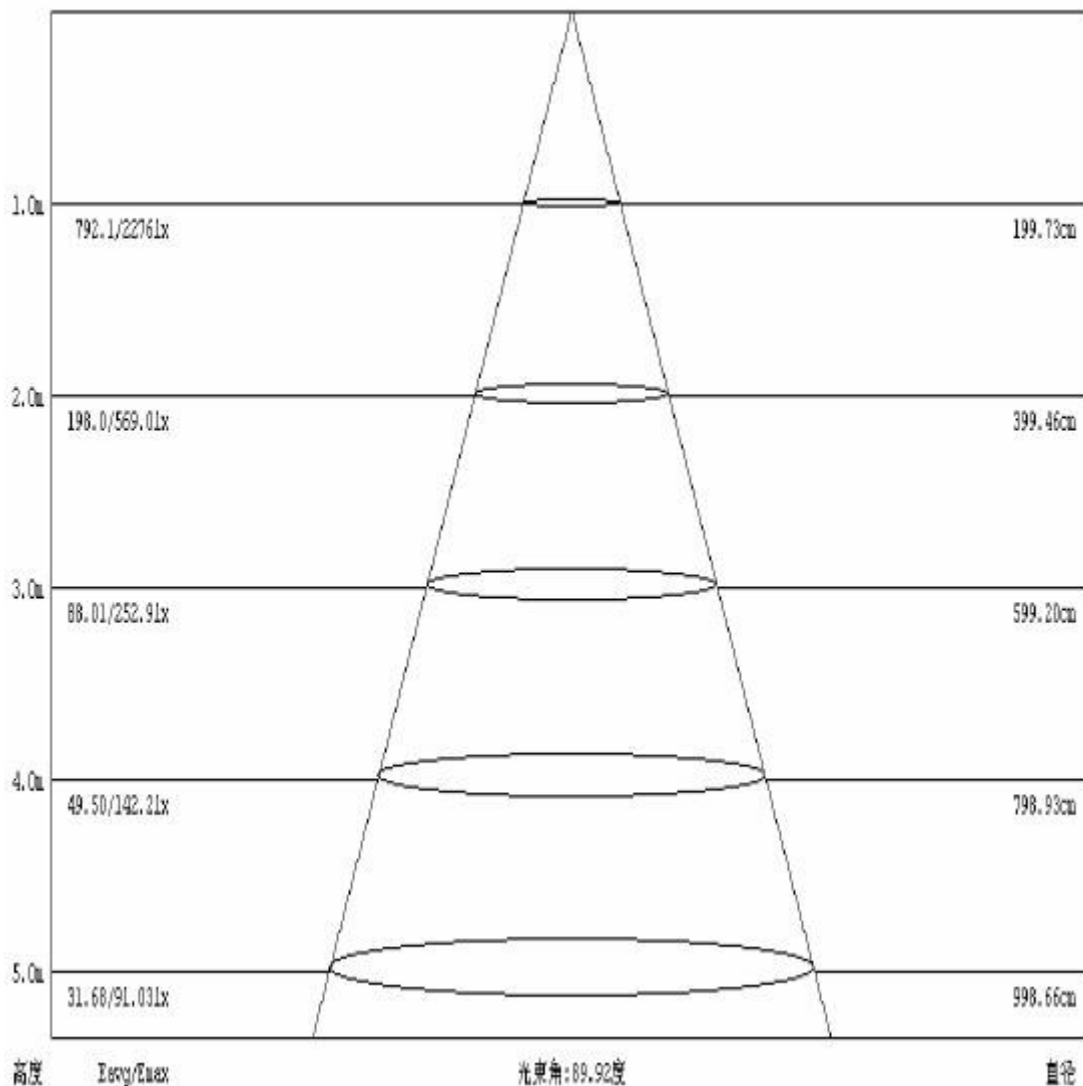
Add.:5th Floor, NO.1059 Jiangyue Rd., Minhang Dis., Shanghai, China

Tel: 021-52716052 Fax:021-5271 6053

Web:www.better-led.com Web:www.ledskylamp.com

Contacting: Ms. Susan Hu Mail:Sales9@better-led.com

ILLUMINANCE MEASUREMENT:



Add: Room B203-204, 2nd Floor, Building 7, No.1188 Lianhang Road, Minhang District, Shanghai, China

Tel: +86-21-5271 6052

Fax: +86-21-5271 6053

Http://www.better-led.com

E-mail: info@better-led.com